



Memorandum - TMS #73

To: UNC Medical Center Attending Physicians, Housestaff, Clinical Nurse Coordinators, Department Heads and Supervisors

From: *HCU* Herbert C. Whinna, MD, PhD
Medical Director, McLendon Clinical Laboratories

YAP Yara A. Park, MD
Medical Director, Transfusion Medicine Services

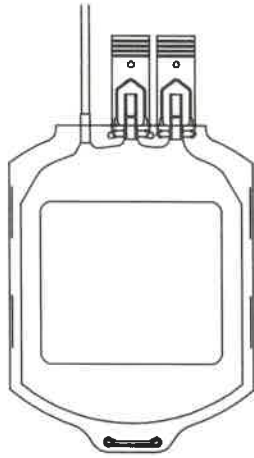
Date: February 1, 2023

Subject: Bags for Red Blood Cell Units Changing

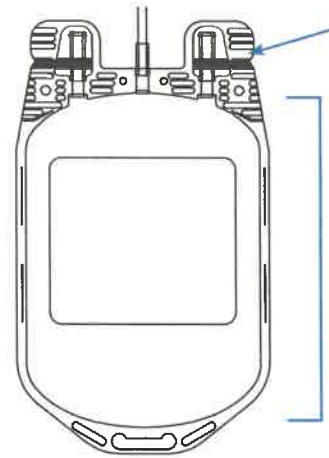
The Transfusion Medicine Service (TMS) was notified by our main blood supplier that the bags for our red blood cell units will be changing immediately. The bags are very similar but the ports for spiking the unit are tear-away instead of peel-away. Please see the attached brochures for examples and instructions.

Please direct any questions to Dr. Yara Park, Medical Director of TMS, at 984-974-1780.

Current BPU Satellite Storage Container



Revised BPU Satellite Storage Container



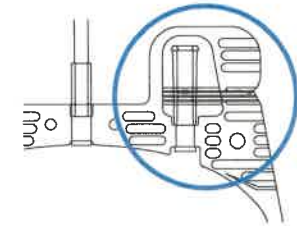
Integrated Tab Design

Larger Container (600ml)

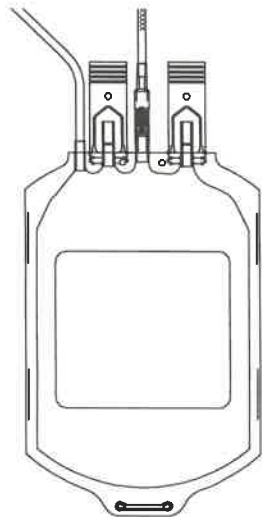


Composelect System

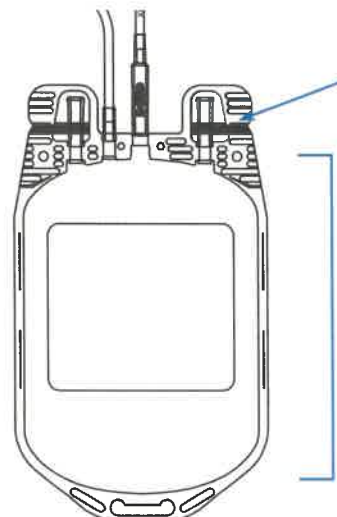
Now with a Single Hand Motion Tab Opening



Current BPU RBC Storage Container



Revised BPU RBC Storage Container



Integrated Tab Design



Composelect System

The Composelect System is a disposable Red Cell (RC) Leukoreduction Filtration system.

The red cell storage container and satellite container components of the BPU are joined with transfusion sets via the spike port when transfusing blood products.

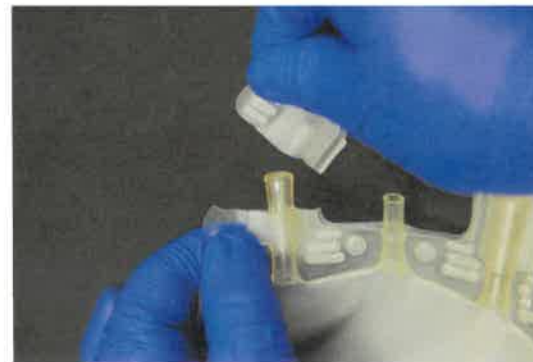
The Composelect System has recently undergone container design revisions and material changes.

- The integrated tab design is functionally equivalent to the previous version.
- Spike port is ISO 3826-1 compliant.

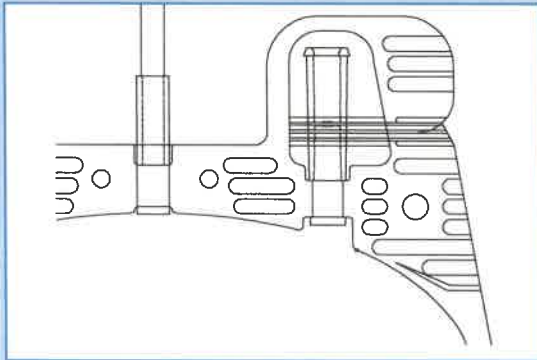
▶ Previous Tab - Peel Design



▶ Revised Tab - Tear Design



Revised Spike Port Design



Increased area and more positive grip for tab-opening



Refer to the Directions for Use for a complete list of warnings and precautions associated with the use of this product.

All trademarks referred to are property of their respective owners. Copyright © 2022 Fresenius Kabi AG. All rights reserved



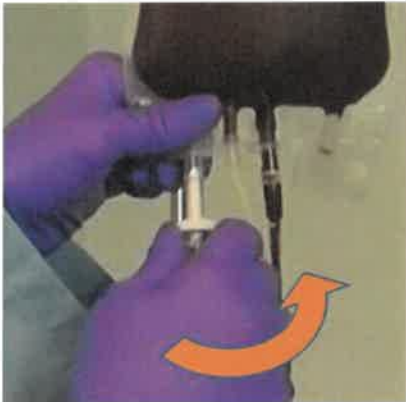

US Headquarters:
Fresenius Kabi
Three Corporate Drive
Lake Zurich, Illinois 60047
1-800-937-5060
www.fresenius-kabi.us

Technical Information Document

**Recommended Spiking Technique for
Bioflex® RC Blood-Pack® Units and Composelect System
Revised Tab (Tear Design)**

Purpose

Provide the recommended technique of inserting a coupler in order to access the contents of a Blood-Pack Unit.

<p>1. When spiking a container port, insert the spike into the outlet port up to the septum in the port. Hold the spike so that it is centered and parallel to the port when inserted to avoid puncturing the container. Pierce the septum, pushing the spike while turning it at the same time. Turn the spike clockwise until the spike is fully seated.</p>	<p>2. When removing the spike from a container port, begin pulling the spike, twisting it counterclockwise.</p>
	

Refer to the Directions for Use for a complete list of warnings and precautions associated with the use of this product.

Over time, this information may be subject to change based upon modification in product manufacturing, blood banking, or critical practice. For additional questions please contact the Clinical Technical Hotline at 1-800-937-5060.

Trademarks referred to are property of their respective owners.